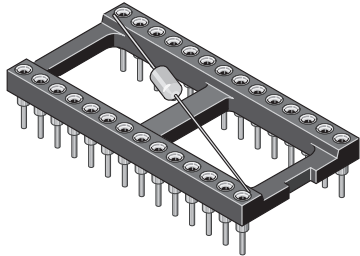


**DIL SOCKETS „THROUGH HOLE“**  
**ID: 005**                      MPQ capacitor socket

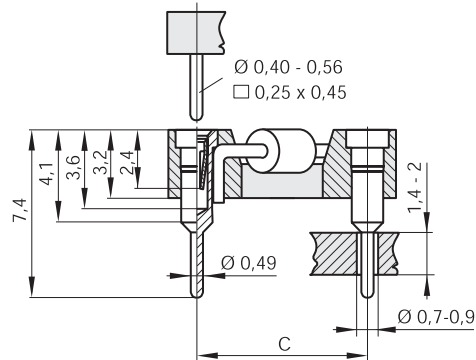
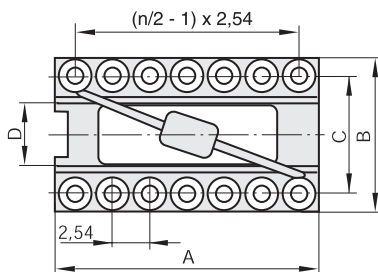
1 | 2,54 mm

Series 104



**TECHNICAL DATA**

Pitch	2,54 mm
Insulating Material	high temp. thermoplast UL94V-0
Contact Material	Brass/BeCu
Rated Current	1 Amp.
Rated Voltage	100 V <sub>RMS</sub> /150 V <sub>DC</sub>
Breakdown Voltage	min. 1000 V <sub>RMS</sub>
Operating Temperature	-55°C bis +125°C
Maximum Soldering Temperature	260°C for 10 seconds



Code	Poles	A	B	C	D
08.3	8	10,08	10,08	7,62	4,00
14.3	14	17,70	10,08	7,62	4,00
16.3	16	20,24	10,08	7,62	4,00
18.3	18	22,78	10,08	7,62	4,00
20.3	20	25,32	10,08	7,62	4,00
22.3	22	27,86	10,08	7,62	4,00
24.3	24	30,48	10,08	7,62	4,00
22.4	22	27,86	12,12	10,08	7,40
24.6	24	30,40	17,70	15,24	11,10
28.6	28	35,48	17,70	15,24	11,10
32.6	32	40,56	17,70	15,24	11,10
40.6	40	50,72	17,70	15,24	11,10

All dimensions in mm.  
 Other dimensions upon request.

MPQ XX.Y XX U

Code: see table

- XX: STG B = sleeve: Sn/clip: Au 100nF
- SGG B = sleeve: Au/clip: Au 100nF
- STG B8 = sleeve: Sn/clip: 0,75µm Au 100nF
- STG B 10 nF = sleeve: Sn / clip: Au 10nF
- STG B 330 nF = sleeve: Sn / clip: Au 330nF
- 3TG = wire-wrap contact: 3 level, Sleeve: Sn / Clip: Au 100nF
- 3GG = wire-wrap contact: 3 level, Sleeve: Au / Clip: Au 100nF

U: RoHS-compliant with high temp. plastic